



# Harley-Davidson FLHRC Road King Classic

SLIP-ON EXHAUST SYSTEM - EC Type approval

# Harley-Davidson FLHRC Road King Classic

SLIP-ON EXHAUST SYSTEM - EC Type approval

DESCRIPTION

Pay your Touring the ultimate compliment with an Akrapovič Slip-On exhaust system. This legendary Harley-Davidson design now comes with an aftermarket Akrapovič exhaust system that offers more power, less weight, and a unique sound and looks.

The Slip-On systems are an upgradable modular system, meaning that, if you chose to do so, you can mix and match components to achieve a custom look. Change your end caps, choose chrome or black, add a noise reduction insert. You decide. The Slip-On features an optional valve system enabling you to adjust the sound level with a simple switch—no dirty hands!

## PERFORMANCE

Akrapovič Slip-On system on the Harley-Davidson FLTCR Road King Classic (with muffler insert) measurements:

Power & Torque:

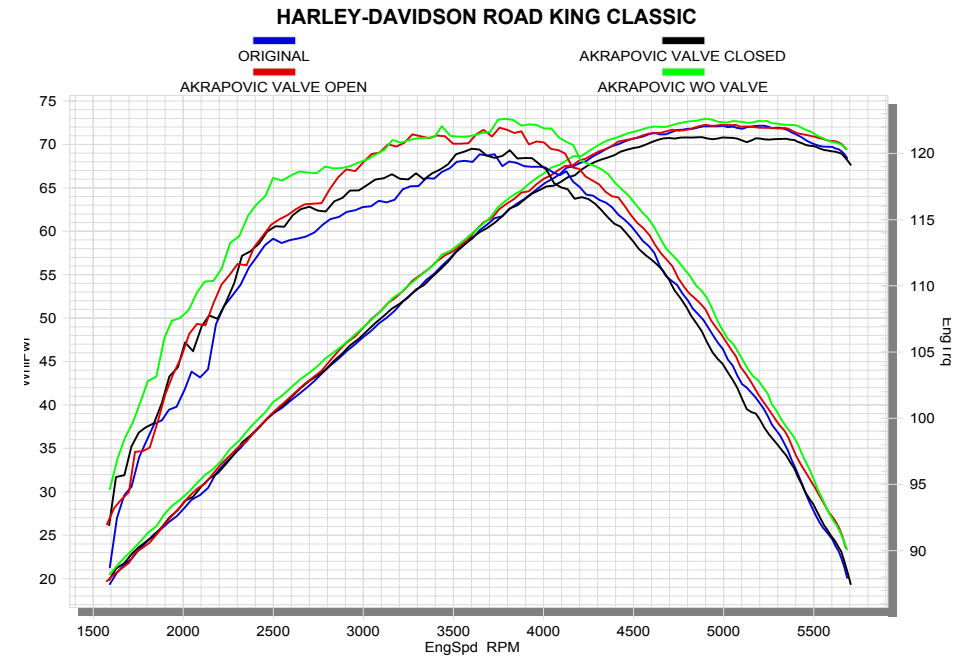
The Akrapovič exhaust system noticeably improves power and torque throughout the entire rpm range.



	PERFORMANCE		
	stock	AKRAPOVIC	max. increased power
max. rear wheel power HP / rpm (measured on SuperFlow Cycle Dyn)	72.2 / 5000	73 / 4900	2.3 / 2100

	ADDITIONAL DATA				
	stock	AKRAPOVIC		difference	
	8.3	Without valve	With optional valve system	Original, without valve	Original, with valve system
weight comparison (kg)			6.5	7.6	1.8

noise measurements (dB / rpm)	stock	AKRAPOVIC
		85 / 2505
EC Type approval	YES / NO	



Technical specifications of Akrapovic exhaust systems and related products subject to change without notice.

Product code: S-HDTOSO1-HC Chrome  
S-HDTOSO1-HC Black

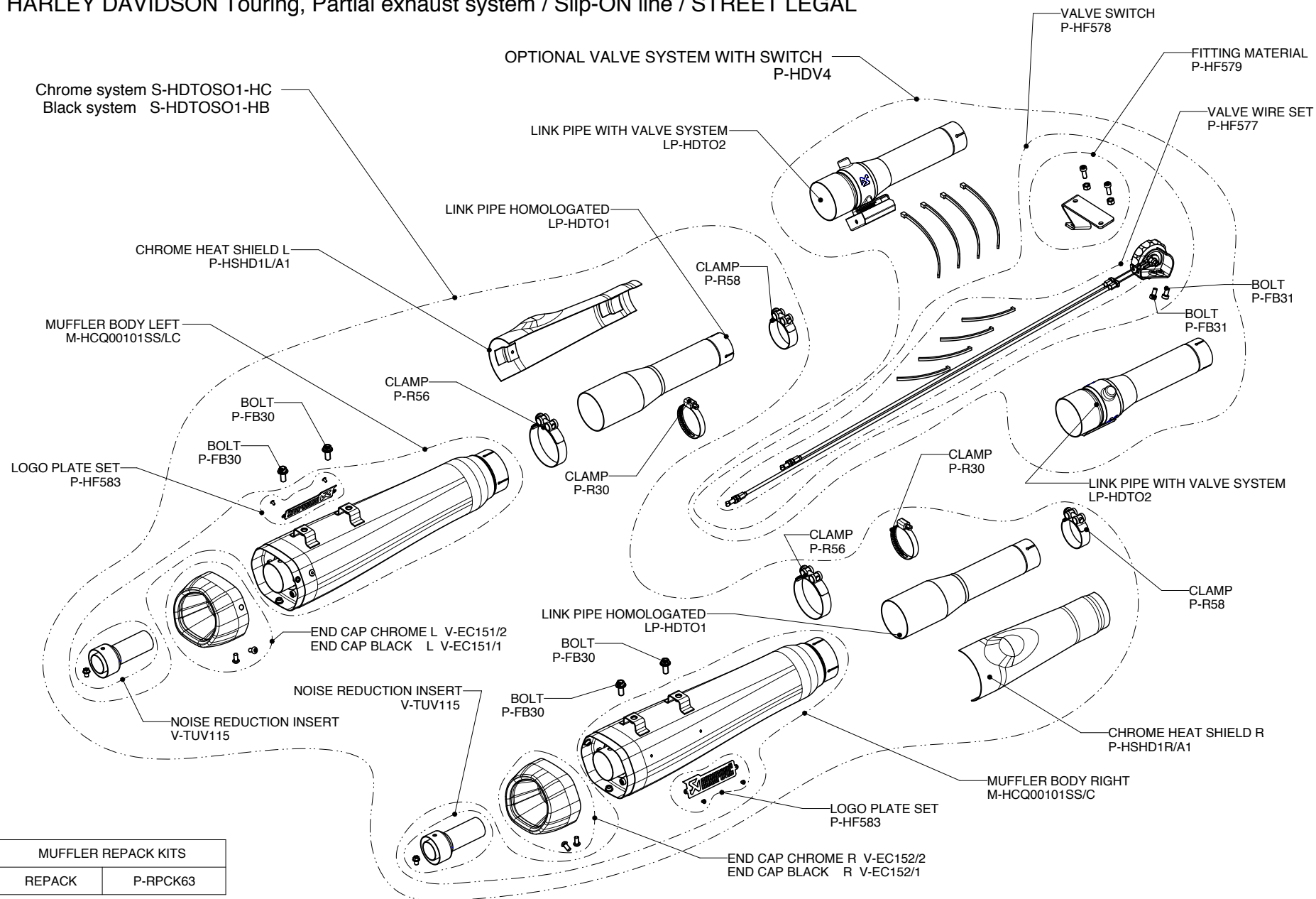


www.akrapovic.com

Akrapovič d.d. 2011 all rights reserved

24.06.2011

## HARLEY DAVIDSON Touring, Partial exhaust system / Slip-ON line / STREET LEGAL



Product code: S-HDTOSO1-HC Chrome  
S-HDTOSO1-HC Black