



## Safety signals

Important information concerning safety is distinguished in this manual by the following notations:



The Safety alert symbol means:  
Caution! Your safety is involved.

### WARNING!

Failure to follow warning instructions could result in **severe or fatal injury** to anyone working with, inspecting or using the suspension, or to bystanders.

### CAUTION!

Caution indicates that special precautions must be taken to avoid damage to the suspension.

### NOTE!

This indicates information that is of importance with regard to procedures.

## Before installation

Öhlins Racing AB can not be held responsible for any damage whatsoever to shock absorber or vehicle, or injury to persons, if the instructions for fitting and maintenance are not followed exactly.

Similarly, the warranty will become null and void if the instructions are not adhered to.

### WARNING!

1. Installing a shock absorber, that is not approved by the vehicle manufacturer, may affect the stability of your vehicle. Öhlins Racing AB cannot be held responsible for any personal injury or damage whatsoever that may occur after fitting the shock absorber. Contact an Öhlins dealer or other qualified person for advice.

2. Please study and make certain that you fully understand all the mounting instructions and the owners manuals before handling this shock absorber kit. If you have any questions regarding proper installation procedures, contact an Öhlins dealer or other qualified person.

3. The vehicle service manual must be referred to when installing the Öhlins shock absorber

Öhlins products are subject to continual improvement and development. Consequently, although these instructions include the most up-to-date information available at the time of printing, there may be minor differences between your suspension and this manual. Please consult your Öhlins dealer if you have any questions with regard to the contents of the manual.

### NOTE!

During storage and transportation, especially at high ambient temperature, the oil and grease used for assembling may run out inside the packing and damage the expanded polystyrene packing material. This is not unusual and is in no way detrimental to the shock absorber.

## Kit contents

Before installing the shock absorber, please check the contents of the kit, listed on the front page of this instruction. If anything is missing, contact your Öhlins dealer.

Description	Pcs.	Part No.
Shock absorber 46PRXLS	1	YA 154
Tie-rod	2	00231-01
Bolt	1	00429-07
Bolt	1	00439-15
Bolt	2	01046-01
Nut	1	00430-01
Bracket	1	03111-01
Sticker memo notes	1	01180-01
Sticker Öhlins	2	00192-01
Owners manual	1	

## Mounting Instructions

1

Put the motorcycle on a stand so that the rear wheel is clear of the ground. Make sure it is fixed so it will not fall over.

### WARNING!

1. It's advisable to have an Öhlins dealer or other qualified person to fit your shock absorber.

2. Instructions in the vehicle service manual are to be followed when changing the shock absorber.

3. When working on a lifted vehicle it must be securely supported to prevent it from falling.

2

Loosen and remove the lower side cover.

3

Loosen the rear brake fluid reservoir.

4

Loosen the fuel pump.

5

Loosen the shock absorber attachments, first the upper and then the lower.

6

Remove the shock absorber by lifting it up and backwards. Pull it out to the left side.

7

Fit the new bracket plate for the fuel pump with the two supplied bolts (6x16).

8

Fit the Öhlins shock absorber from the upside and fix the upper attachment with the supplied bolt (M10x65) and nut M10.

9

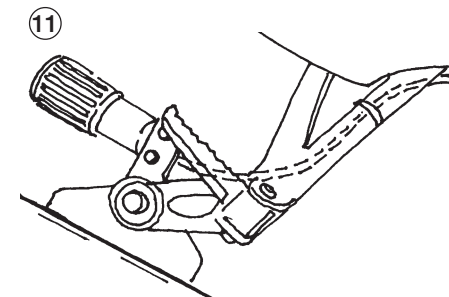
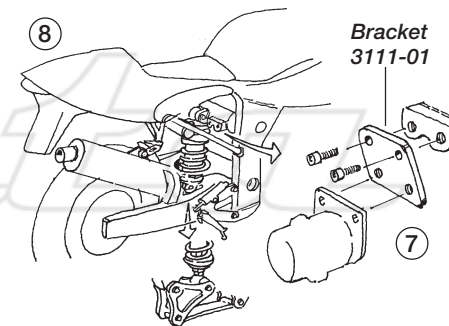
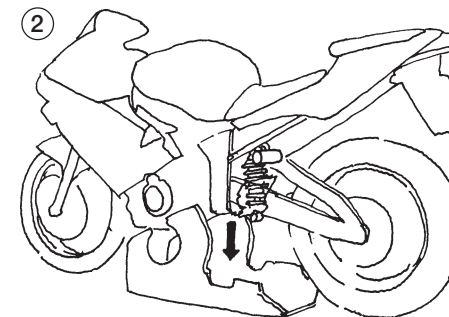
Reassemble the lower attachment with the original bolt.

10

Fit the fuel pump to the new bracket. Use the original bolts.

11

Mount the hydraulic preloader to the silencer bracket with supplied bolt (M10x1,25x65).



### NOTE!

Make sure that all bolts are tightened to the correct torque and that nothing fouls the shock absorber when the suspension is being compressed. See: Motorcycle workshop manual.