



Kit contents		
Description	Part No	Pcs
Rear shock absorber	BM 438	1
Washer 8.4/16/1.5	00153-01	2
Tie-rod L=200 W=4.8	00231-01	2
Nut M8 A2 80	00430-05	1
Screw MC6S 8x50	01046-25	1
Sticker "Memo notes"	01180-01	1
Sticker "ÖHLINS" wh/tr	01185-01	2
Sticker "ÖHLINS" bl/tr	01185-04	2
Owner's manual	07241-02	1

**👁 Note!**

Please note that there can be small differences between your product and the images in these instructions.

**👁 Note!**

Please note that during storage and transport, especially at high ambient temperature, some of the oil and grease used for assembly may leak and stain the packaging. This will not cause damage to the product, wipe off the excessive oil or grease with a cloth.

**👁 Note!**

Before you install this product, check the kit contents. If anything is missing, please contact an Öhlins dealer.

**⚠ Warning!**

Before you install this product, read the Öhlins Owner's manual. This product is an important part of the vehicle and the vehicle stability.

Shock absorber for BMW R 1200 RT

**BM 438**

Mounting Instructions



# MOUNTING INSTRUCTIONS

## **⚠ Warning!**

*We strongly recommend to let an Öhlins dealer install this product.*

## **⚠ Warning!**

*If you work with a lifted vehicle, make sure that it is safely supported to prevent it from tipping over.*

## **👁 Note!**

*When you work with this product, see the vehicle service manual for vehicle specific procedures and important data.*

## **👁 Note!**

*Before you install this product clean the vehicle.*

**1**

Put the motorcycle on a work stand so that the rear wheel barely touches the ground.

**2**

Remove the seats. The small cover on the luggage holder and the passenger handles.

**3**

Remove the small triangular side covers on both sides.

**4**

Remove the 2 side covers on the sides of seats and the covers in front of these on both sides.

**5**

If your bike is equipped with "dynamic ESA": Disconnect the 2 connectors under the seat and free the cables to the shock absorber. Protect the open connectors from moisture and dirt.

**6**

Remove the silencer mounting screw and loosen the brake fluid reservoir for the rear brake.

**7**

Remove the 3 screws for the mud guard in front of the rear wheel.

**8**

Loosen, but do not remove, the upper mounting screws for the rear subframe. Loosen also the lower mounting screws.

**9**

Remove the shock absorber mounting bolts. Raise the rear sub frame and remove the mud guard to access and remove the standard shock absorber.

**10**

Put the mud guard back in place, lower and mount the rear subframe.

**11**

Install the Öhlins shock absorber through the swing arm with the preload adjuster first. Preload adjuster on the right side and gas valve rearward.

**12**

Install the upper and the lower shock absorber attachment bolts.

# MOUNTING INSTRUCTIONS

## 13

Use the supplied m8x50 screw to install the preload adjuster on the right side silencer bracket, see figure. Use one of the supplied washers under the screw head and tighten the screw. Use the other 8 mm washer and a lock nut. You may need to hold the screw not to untighten it when you tighten the M8 nut.

## 14

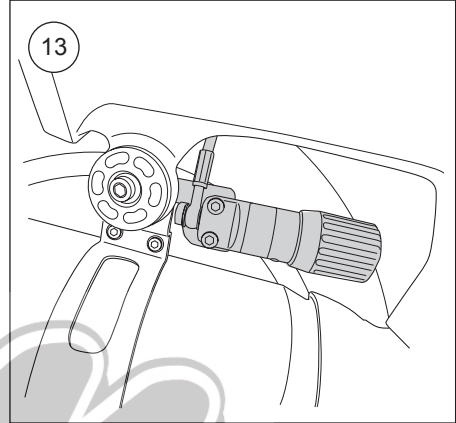
Install the mud guard and the brake fluid reservoir.

## 15

Install the side covers, passenger handles and seats.

## 16

Make sure that all screws are tightened to the correct torque according to the vehicle service manual.



### **Note!**

*Lower the vehicle so that the suspension is slightly compressed before you tighten the screws.*

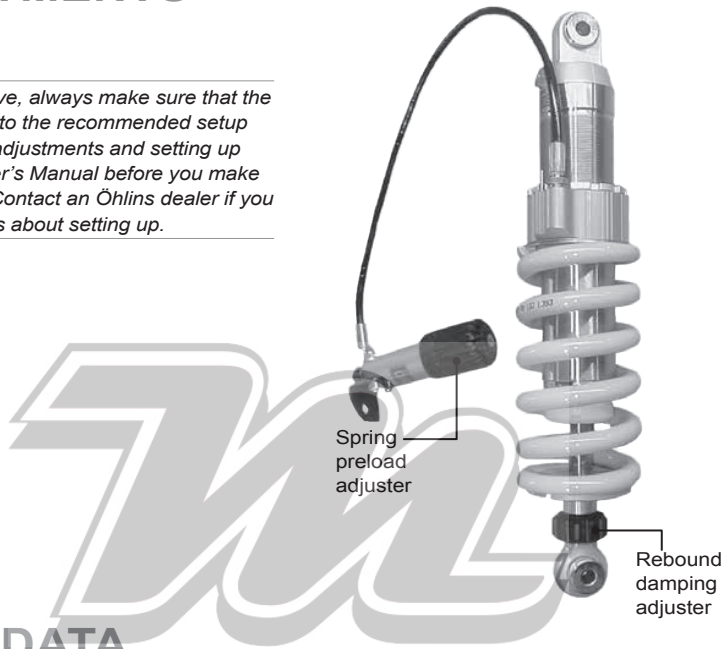
### **Caution!**

*Make sure that you tighten all screws to the correct torque and that nothing fouls or restricts movement of the shock absorber/front fork/steering damper when the suspension is fully compressed or extended.*

# ADJUSTMENTS

## **⚠ Warning!**

*Before you ride/drive, always make sure that the setup is according to the recommended setup data. Read about adjustments and setting up in the Öhlins Owner's Manual before you make any adjustments. Contact an Öhlins dealer if you have any questions about setting up.*



## SETUP DATA

Length	375	mm
Stroke	53	mm
Rebound	18	clicks
Spring part no	01096-69	
Spring free length	190	mm
Spring rate	170	N/mm
Spring preload	17	mm

Recommended Free sag and Ride height		
R1-R2	5-10	mm
R1-R3	25-30	mm

Öhlins products are subject to continuous improvement and development, therefore, although these instructions include the most up-to-date information available at the time of printing, minor updates may occur.

To find the latest information contact an Öhlins distributor. Please contact Öhlins if you have any questions regarding the contents in this document.

Part no. MI\_BM438\_0  
Issued 2014-06-16

© Öhlins Racing AB. All rights reserved. Any reprinting or unauthorized use without the written permission of Öhlins Racing AB is prohibited.

Öhlins Racing AB  
Box 722  
S-194 27 Upplands Väsby, Sweden  
Phone +46 8 590 025 00  
fax +46 8 590 025 80



[www.ohlins.com](http://www.ohlins.com)